

Little Angel

© 2006 Jennifer Williams



Requirements:

2 inch (5 cm) wooden figure, size 20 thread in white, size 9 or 11 beads - 12 flesh coloured and 8 silver or gold, a thick gold thread for the halo and a thin gold thread for the star. Clear nail varnish and strong glue that dries clear.

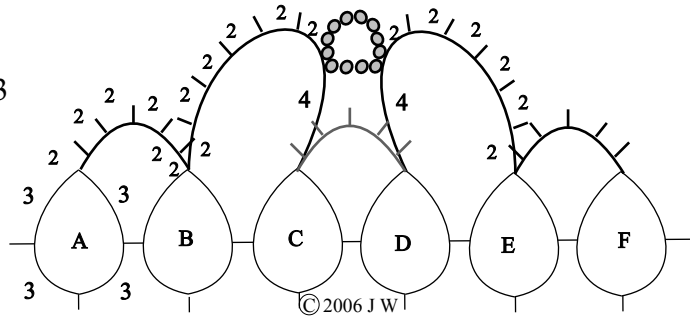
Top layer

String the 12 flesh coloured beads then fill your shuttle (CTM) leaving all the beads on the ball side.

- R.A 3 - 3 - 3 - 3, cl RW
 CH. 2 (- 2) X 5 RW
 R.B 3 + (to last picot on previous ring) 3 - 3
 - 3, cl RW

Left arm and hands

- CH. 2 (- 2) X 5 bring up the 12 beads then work 4 ds, tension, RW
 *R.C 3 + (to last picot on previous ring) 3 - 3 - 3, cl RW
 CH. 2 (- 2) X 5 RW**
 R.D 3 + (to last picot on previous ring) 3 - 3 - 3, cl RW

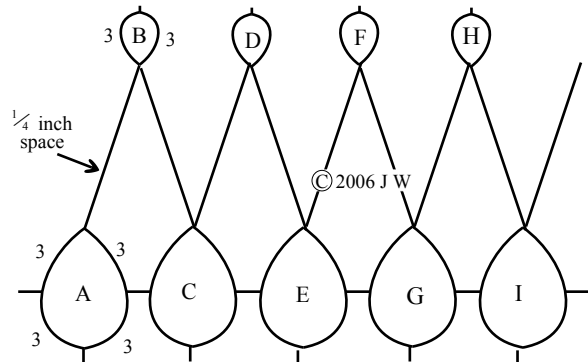


Right arm joining to the hands

CH. 4 + to beaded picot having 4 beads on the left and 8 on the right of the join, 2 (- 2) X 5 RW
 Work from * to ** four more times remembering to join the 8th ring to ring 'A' to form a circle.
 Cut and tie to the base of ring A

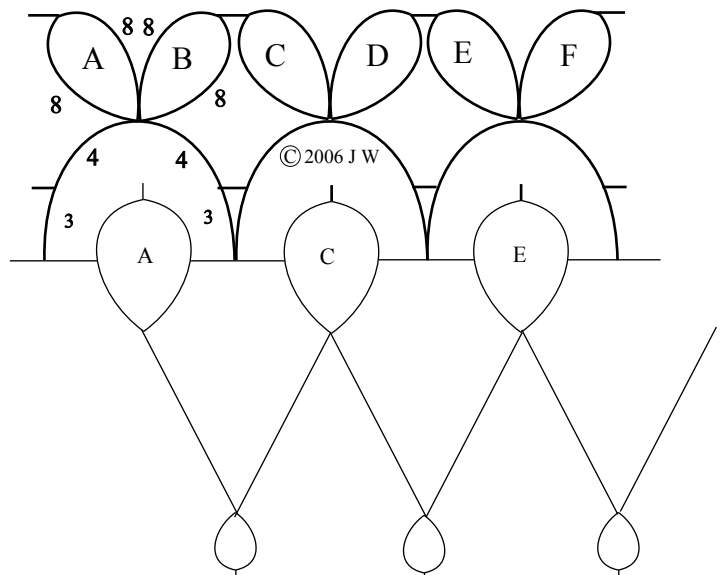
Skirt

- Row 1** (shuttle only)
 R.A 3 - 3 - 3 - 3, cl RW
 R.B leave ¼ inch of thread, 3 - 3, cl RW
 *R.C leave ¼ inch of thread, 3 + (to last picot on ring A) 3 - 3 - 3, cl RW
 R.D leave ¼ inch of thread, 3 - 3, cl RW**
 Repeat from * to ** 6 times remembering to join the 8th larger ring to ring 'A'
 Cut and tie near one of the rings.



Row 2 (2 shuttles wound CTM - fill shuttle 2 and have about 1 metre on shuttle 1)
 Join to the picot between two of the rings on the 1st row

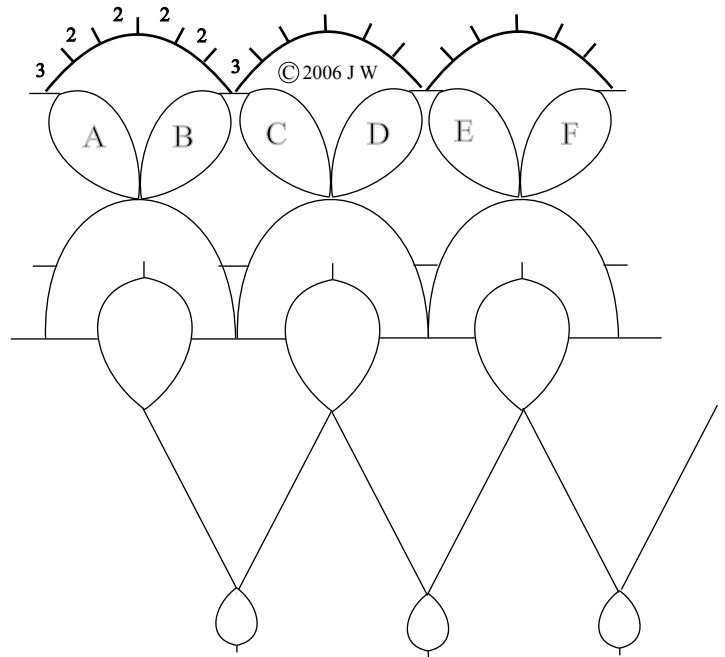
- SH.1 CH. 3 - 4, DNRW, SS
 SH.2 R.A 8 - 8, cl
 R.B 8 - 8, cl, DNRW, SS
 SH.1 CH. 4 - 3 sj to picot between rings 'A' and 'B' of 1st row
 § CH. 3 + to previous chain, 4, DNRW, SS
 SH.2 R.C 8 + to previous ring, 8, cl
 R.D 8 - 8, cl, DNRW, SS
 SH.1 CH. 4 - 3 sj to picot between the next two rings of 1st row §§



Repeat from § to §§ 6 times to complete the round remembering to join the last ring to ring 'A' and the last chain to the first chain.

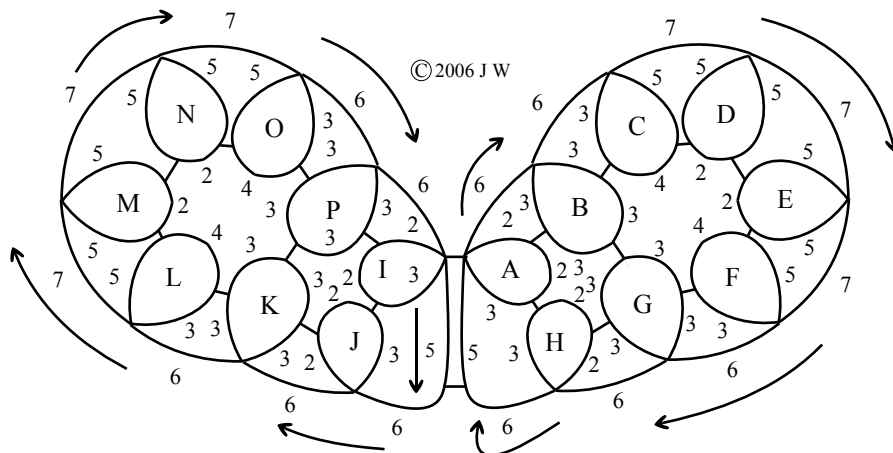
Row 3 (wind about 1 mtr onto a shuttle CTM)
Join to the picot between two of the rings
on the 2nd row

CH. 3 (- 2) X 4, - 3 sj to the picot
between the next two rings of the 2nd row.
Repeat 7 times to complete the round.
Cut and tie to the start of the row.



Wings

The wings are worked in one piece as a figure of eight.
Wind about 2 metres onto your shuttle CTM



1st wing

R.A 3 - 2 - 2, cl, RW
CH. 6, RW
R.B 3 + to ring 'A', 3 - 3 - 3, cl, RW
CH. 6, RW
R.C 3 + 4 - 5, cl, RW
CH. 7, RW
R.D 5 + 2 - 5, cl, RW
CH. 7, RW
R.E 5 + 2 - 5, cl, RW
CH. 7, RW
R.F 5 + 4 - 3, cl, RW
CH. 6, RW
R.G 3 + 3 + to ring 'B', 3 - 3, cl, RW
CH. 6, RW
R.H 2 + 2 - 3, cl, RW
CH. 6 - 5 ? to base of ring 'A', RW
DO NOT CUT

2nd wing

R.I 2 - 2 - 3, cl, RW
CH. 5 + to last chain on the 1st wing, 6, RW
R.J 3 + 2 - 2, cl, RW
CH. 6, RW
R.K 3 + 3 - 3 - 3, cl, RW
CH. 6, RW
R.L 3 + 4 - 5, cl, RW
CH. 7, RW
R.M 5 + 2 - 5, cl, RW
CH. 7, RW
R.N 5 + 2 - 5, cl, RW
CH. 7, RW
R.O 5 + 4 - 3, cl, RW
CH. 6, RW
R.P 3 + 3 + to ring 'K', 3 - 3, cl, RW
CH. 6, RW

Cut and tie to the base of ring 'I' leaving the ends to sew in place on the angel

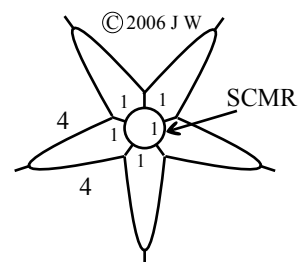
Little Star

Wind about $\frac{1}{2}$ - $\frac{3}{4}$ mtr of the thin gold thread onto a shuttle

SCMR 1 (- 1) X 4, cl and make a false picot to match the others on the SCMR,

CH. (4 - 4 sj to next picot) X 5

Cut and tie leaving the end long enough to tie in place on the angel.



Halo

Tie a piece of the thicker gold thread round something with a diameter of about $\frac{3}{4}$ inch (2 cm) using a reef knot, secure the knot thoroughly with nail varnish or glue that dries clear and leave until dry.

NB a piece of non stick baking parchment slipped under the thread will make it easy to remove.

To assemble the angel

- 1) Hold the 'top layer' over the 'skirt' and thread each free ring of the 'skirt' in turn up through the rings of the 'top layer'.
- 2) Thread a length of the white cotton onto a needle and take the needle through the picot of a 'free ring' then pick up a gold or silver bead, then through the picot on the next 'free ring', then pick up another bead. Continue round the neck edge until you have picked up the 8 picots and 8 beads. Slip over the wooden figure and tie to fit, secure the knot with nail varnish.
- 3) Using the ends of the gold thread tie the star in place over the 'hands'.
- 4) Use a strong glue to stick the halo in place with the tie at the back of the head so that it will be (almost) hidden when the wings are in place. Leave it to dry thoroughly.
- 5) Attach the wings with a stitch through the 'top layer' then cut and secure the ends.